

**PLEASE CHECK WWW.MOLEX.COM FOR LATEST PART INFORMATION**

**Part Number:** [0351510414](#)  
**Status:** **Active**  
**Overview:** [versablade](#)  
**Description:** 6.20mm (.244") Pitch Wire-to-Wire VersaBlade™ Hybrid Receptacle Housing, 4 Circuits, Polyester UL94V-0, Blue

**Documents:**

[3D Model](#) [Product Specification PS-35524-001 \(PDF\)](#)  
[Drawing \(PDF\)](#) [RoHS Certificate of Compliance \(PDF\)](#)

**Agency Certification**

CSA	LR19980
TUV	R72090206
UL	E29179

**General**

Product Family	Crimp Housings
Series	<a href="#">35151</a>
Comments	Polarized to Mating Part, Positive Lock
Overview	<a href="#">versablade</a>
Product Name	VersaBlade™

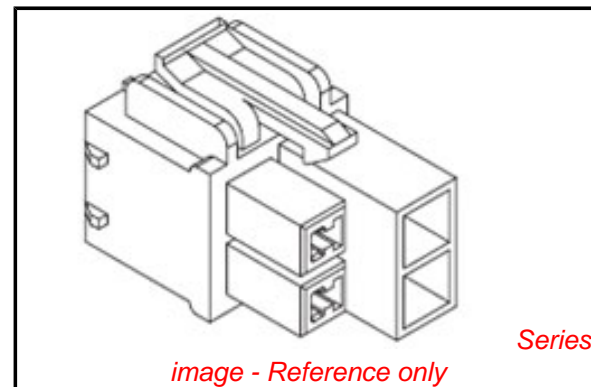
**Physical**

Circuits (maximum)	4
Color - Resin	Blue
Flammability	94V-0
Gender	Female
Glow-Wire Compliant	No
Keying to Mating Part	None
Lock to Mating Part	Yes
Material - Resin	Polyester
Number of Rows	2
Packaging Type	Bag
Panel Mount	No
Pitch - Mating Interface (in)	0.350 In
Pitch - Mating Interface (mm)	8.90 mm
Polarized to Mating Part	Yes
Stackable	No
Temperature Range - Operating	-40°C to +120°C

**Material Info**

**Reference - Drawing Numbers**

Product Specification	PS-35524-001
Sales Drawing	SD-35151-0410



**EU RoHS**

**ELV and RoHS Compliant**  
**REACH SVHC**  
 Not Reviewed  
**Halogen-Free Status**  
**Not Reviewed**

**China RoHS**



**Need more information on product environmental compliance?**

Email [productcompliance@molex.com](mailto:productcompliance@molex.com)  
 For a multiple part number RoHS Certificate of Compliance, [click here](#)

Please visit the [Contact Us](#) section for any non-product compliance questions.

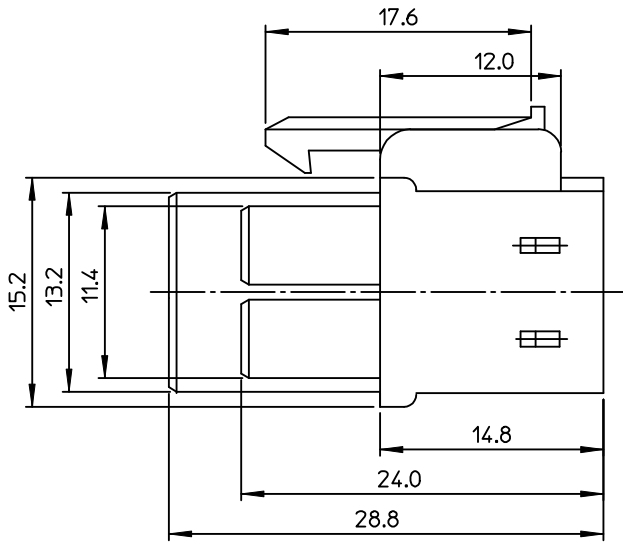
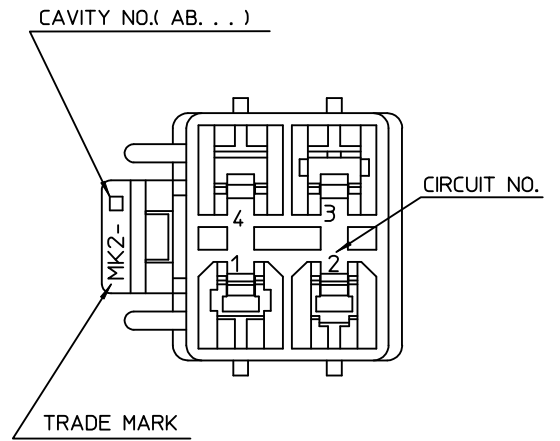
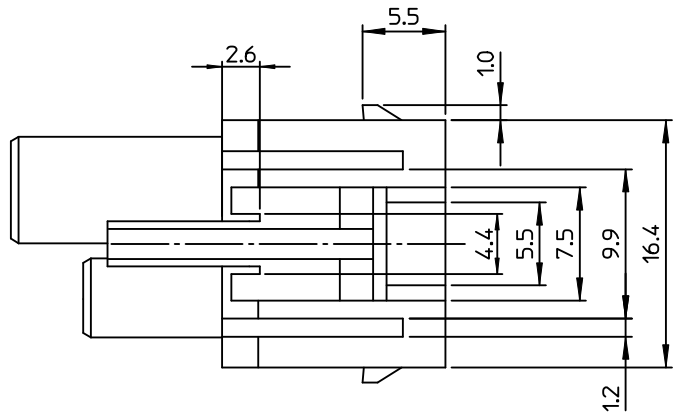
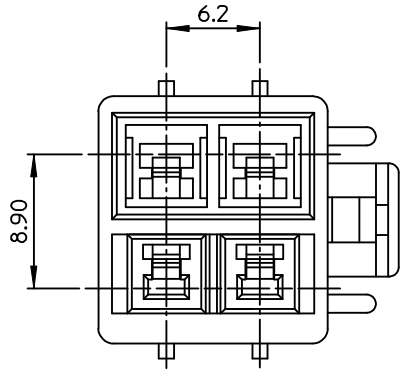
**Search Parts in this Series**

[35151Series](#)

**Mates With**

**Use With**

VersaBlade™ Crimp Terminals, [35745](#) , [35746](#) , [35747](#)



NOTES

1. MATERIAL : SEE TABLE

N	PRODUCT		MATERIAL	
	PART NO	MATERIAL NO	COLOR	DESCRIPTION
1	35151-0410	351510410	NATURAL	PBT UL94V-0
2	35151-0412	351510412	RED	
3	35151-0413	351510413	YELLOW	
4	35151-0414	351510414	BLUE	
5	35151-0419	351510419	⊕NATURAL	PC/PET UL94V-0
6	35151-3419	351513419	YELLOW	
7	35151-4419	351514419	BLUE	

2. MATED HOUSING : 35150-040\*/041\*

3 . APPLICATION TERMINAL : 35745 - \*\*\*\* (3CKT)  
 35746 - \*\*\*\* (1CKT)  
 35747 - \*\*\*\* (4CKT)  
 35748 - \*\*\*\* (2CKT)

4. APPLICABLE T.P.A : 35150 - 0290

REVISED EC NO: KOR2010-0068 DRWN: JHPARK01 2009/10/19 CHKD: WY YANG 2009/10/20 APPR: YUNSIKKIM 2009/10/21	QUALITY SYMBOLS ▽=0 ▽=0	GENERAL TOLERANCES (UNLESS SPECIFIED)		DIMENSION STYLE MM ONLY	SCALE 3:1	DESIGN UNITS METRIC	THIRD ANGLE PROJECTION	
		4 PLACES ± --- ± --- 3 PLACES ± --- ± --- 2 PLACES ± --- ± --- 1 PLACE ± 0.3 ± ---	mm INCH	DRAWN BY SK.HAN	DATE 2008/01/08	TITLE 6.2 PITCH W/W FEMALE HSG-4P		
		ANGULAR ± 1 °		CHECKED BY WY.YANG	DATE 2008/01/08	MOLEX INCORPORATED		
		DRAFT WHERE APPLICABLE MUST REMAIN WITHIN DIMENSIONS		APPROVED BY EH. JUNG	DATE 2008/01/08	MATERIAL NO. SEE TABLE		DOCUMENT NO. SD-35151-0410